

# TABLETOP DISINFECTANT DISPENSER WP122-1



68 x 334 x 129 mm  
chrome-plated brass

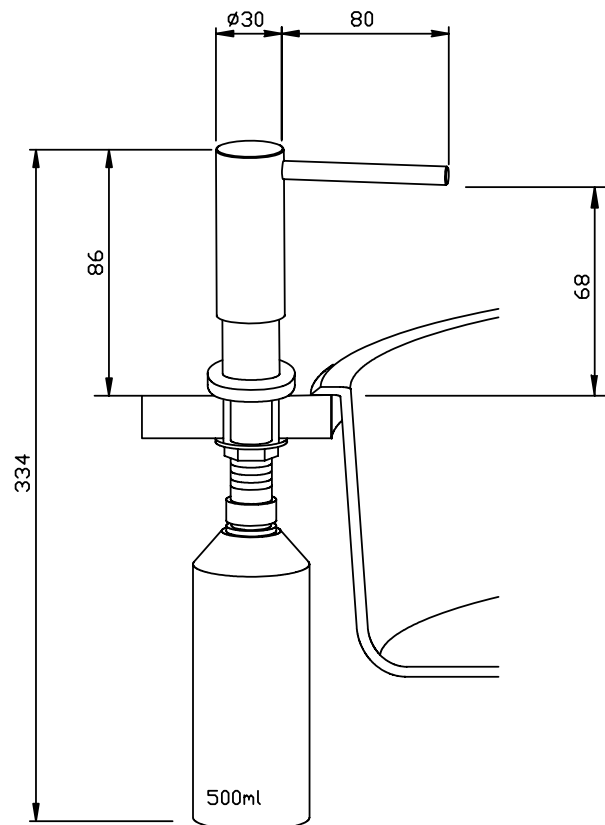
- Tabletop disinfectant dispenser in chrome-plated brass.
- Solid body in brass; visible surfaces high-gloss chrome-plated.
- Design height: 86 mm  
Outlet height: 68 mm  
Projection: 76 mm
- Non-drip disinfectant pump with 500 ml disinfectant bottle in plastics and pressure valve in brass.
- Also available with 250 ml or 1000 ml containers in plastics.
- 500 ml container in stainless steel as an option for a surcharge.
- Designed for standard disinfectants.
- Refillable from above by unscrewing the top part.
- Wear parts can be replaced as modules.
- Installation dimensions:  $\varnothing$  22-26 mm, surface thickness max. 40 mm.
- Mounting: With one counternut.
- Delivery includes fixing material.
- Weight, including single package: 0.7 kg



## Suggested text for specifications:

Tabletop disinfectant dispenser in chrome-plated brass for counter mounting. Solid body in brass; visible surfaces high-gloss chrome-plated. Non-drip disinfectant pump with 500 ml disinfectant bottle in plastics and pressure valve in brass. Designed for standard disinfectants. Refillable from above by unscrewing the top part. Delivery includes fixing material.

Dimensions: (with container) 68 x 334 x 129 mm  
Design height: 86 mm  
Outlet height: 68 mm  
Projection: 76 mm  
Article No. WP122-1



Available surface	ID No.
chrome-plated	923 339

## Ernst Wagner GmbH & Co. KG

Ernst-Abbe-Straße 21 · D-72770 Reutlingen · Tel.: +49712151539-0 · Fax: -20  
info@wagner-ewar.de · www.wagner-ewar.de

WAGNER  
EWAR